



XOD34HP
SINK PRO NANOGRIND

QUICKCONNECT CONTINUOUS FEED WASTE DISPOSALS



XOD34HP

- QuicKconnect Twist-Lock Mount
- High Speed Magnet Motor
- Septic Safe

YOUR XO KITCHEN WASTE DISPOSAL

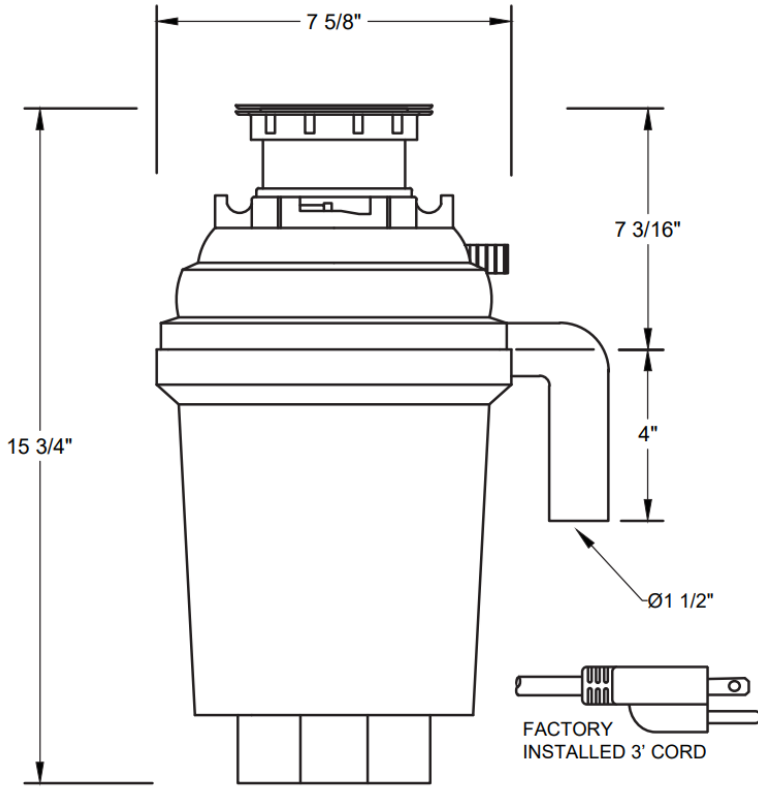
XO WASTE DISPOSALS are the green kitchen convenience you can feel good about buying and using. Make cleanups a breeze and your kitchen clean and odor free. Quick, quiet grinding power to cut through tough foods. Backed by the best warranty in the business. Strong, Quiet, Reliable and takes out the garbage without being asked twice.

Is it possible to fall in love with an appliance?

WORLD CLASS SERVICE | COMPREHENSIVE WARRANTIES

OUR LASTING COMMITMENT TO YOU

CATEGORY: Continuous Feed **QuickConnect Twist-Lock System**



Continuous Feed models require An on/off switch sold seperately See: **XODAIRSWITCH**



PRODUCT HIGHLIGHTS

- Permanent Magnet Motor
- Generates High Torque / Avoid Jams
- Stainless Steel Turntable & Cast Impellers
- Bio-guard Antimicrobial Protection
- Removable Splash Guard
- Factory Installed Power Cord and Plug
- Precision Balanced
- Sound Insulation Shield
- QuickConnect Twist-Lock Mount

SPECIFICATIONS

- 3/4 HP Continuous Feed Disposal
- 3' Long 3 Prong Power Cord
- Manual Reset Thermal Overload Protection
- 120 V / 60 Hz - 4.6 amps
- All XO Disposals are UL Listed

OPTIONS:

Remote Air Operated ON/OFF Switch

XODAIRSWITCH

