



KITCHEN VENTILATION SYSTEMS



Insert

XO133S

The XO1 insert is an integrated blower which allows you to match your custom hood to your kitchen. This simple and affordable design is easy to install. Designed and crafted in Italy for the ultimate in fit and finish. At XO we believe that good design is something everyone can afford.



XOI Spec Sheet

Insert

Model: XO133S

Sizes: 33.75" **Depth:** 18 7/16"

Features and Benefits:

- 600 CFM high velocity blower optimally removes Smoke, Grease and Odors
- 3 speed electronic illuminated controls
- Two 50W Halogen Lights - Provide brilliant illumination over the cooking surface
- Unit Dimensions: 33 3/4" W x 18 7/16" D x 11 1/2" T
- Cut Out Dims: 32 1/2" " W x 16 3/8" D
- Professional Baffle Filters - Trap airborne smoke and grease particles. They can be easily removed for dishwasher-safe cleaning
- Compact design makes installation a breeze
- Mounting Height from cooking surface 27"-32"
- Sound level 1.8 - 6.5 Sones

Duct Options and Electrical Requirements:

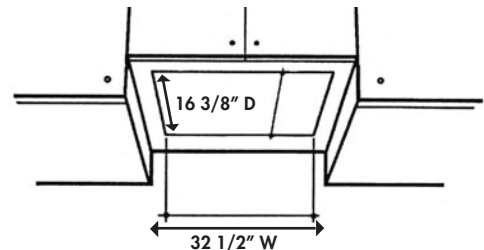
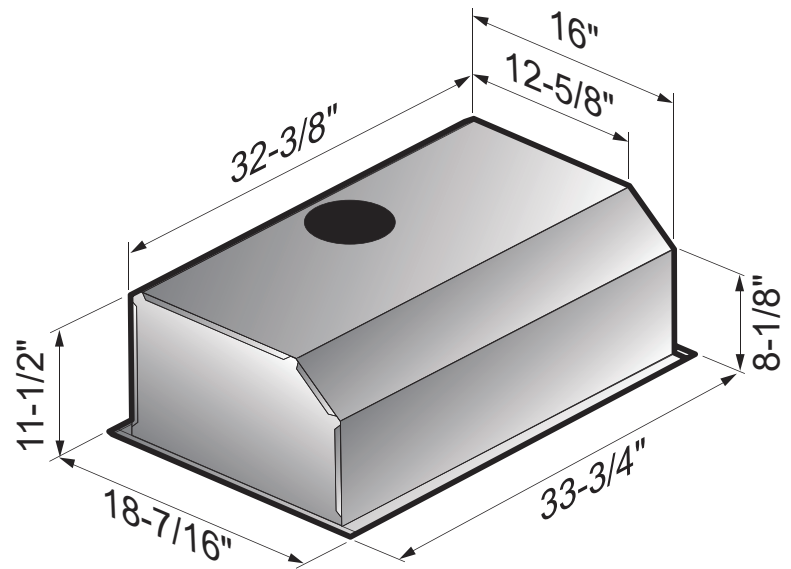
- 6 inch duct required
- Ductless Option for applications where no ducting is available
- AC 115v-60hz (4amp)

Options:

- Optional recirculation kit available
Model XORFK04

IMPORTANT NOTE: When used in a recirculating mode, provision must be made to return the exhaust to the living space - see installation instructions for complete information

2 YEAR
PARTS & LABOR
WARRANTY



Cut out dimensions: Width 32 1/2" Depth: 16 3/8"

WIDTH	DEPTH	FLOW RATE
34"	19"	600

XO

www.xoappliance.com

XO is Exclusively Distributed by:
Eastern Marketing Corp 24 Eisenhower Parkway Roseland,
New Jersey 07068 800-966-8300
www.easternmarketingcorp.com

All XO hoods are UL approved. 

DESIGNED & CRAFTED IN
ITALY



KITCHEN VENTILATION SYSTEMS



Insert

XO133SMUA make-up air compliant series

The XO1 insert is an integrated blower which allows you to match your custom hood to your kitchen. This simple and affordable design is easy to install. Designed and crafted in Italy for the ultimate in fit and finish. At XO we believe that good design is something everyone can afford.

What does Make-Up Air Compliant mean?

For the last several years, codes and standards required Make-Up air for domestic range hoods with exhaust rates exceeding a certain limit. The International Residential Code Section M1503.4 and the International Mechanical Code Section 505.2 require Make-Up air for all domestic range hoods in excess of 400 cfm. State, county and local codes may be more restrictive. Always check with your jurisdiction for specific Make-Up air requirements in your area.



XOI make-up air compliant series spec sheet

Insert

Model: XO133SMUA

Sizes: 33.75" **Depth:** 18 7/16"

Features and Benefits:

- Make-Up Air Compliant - Check Local Codes
- 395 CFM high velocity blower optimally removes Smoke, Grease and Odors
- 3 speed electronic illuminated controls
- Two 50W Halogen Lights - Provide brilliant illumination over the cooking surface
- Unit Dimensions: 33 3/4" W x 18 7/16" D x 11 1/2" T
- Cut Out Dims: 32 1/2" " W x 16 3/8" D
- Professional Baffle Filters - Trap airborne smoke and grease particles. They can be easily removed for dishwasher-safe cleaning
- Compact design makes installation a breeze
- Mounting Height from cooking surface 27"-32"
- Sound level 1 - 4 Sones

Duct Options and Electrical Requirements:

- 6 inch duct required
- Ductless Option for applications where no ducting is available
- AC 115v—60hz (4amp)

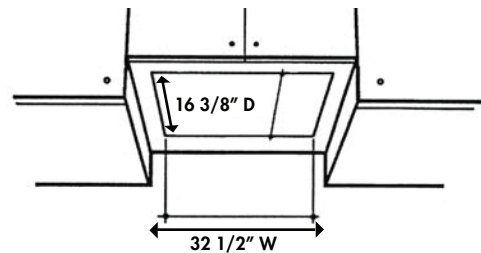
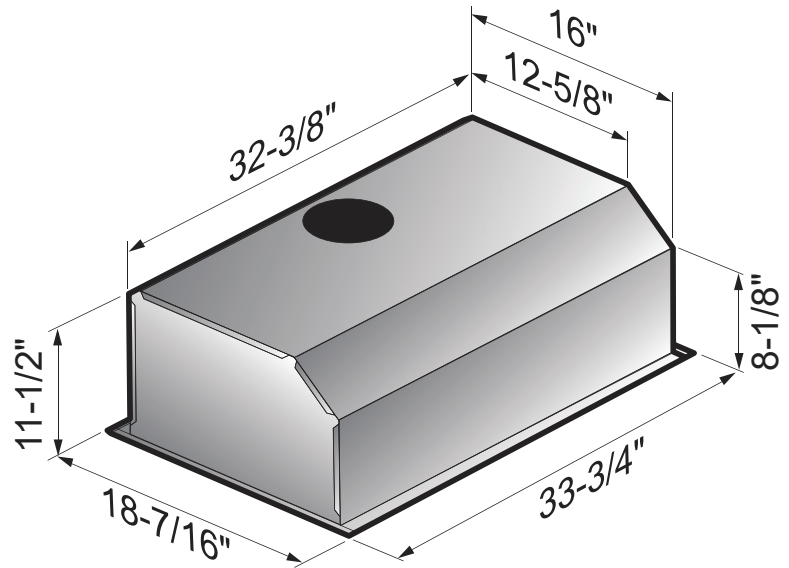
Options:

- Optional recirculation kit available

Model XORFK04

IMPORTANT NOTE: When used in a recirculating mode, provision must be made to return the exhaust to the living space - see installation instructions for complete information

2 YEAR
PARTS & LABOR
WARRANTY



Cut out dimensions: Width 32 1/2" Depth: 16 3/8"

WIDTH	DEPTH	FLOW RATE
34"	19"	395

XO

www.xoappliance.com

XO is Exclusively Distributed by:
Eastern Marketing Corp 24 Eisenhower Parkway Roseland,
New Jersey 07068 800-966-8300
www.easternmarketingcorp.com

All XO hoods are UL approved.

DESIGNED & CRAFTED IN
ITALY

XO

KITCHEN VENTILATION SYSTEMS



Insert

XO133KS

The XO1 insert is an integrated blower which allows you to match your custom hood to your kitchen. This simple and affordable design is easy to install. Designed and crafted in Italy for the ultimate in fit and finish. At XO we believe that good design is something everyone can afford.

XO

www.xoappliance.com



Model: XO133KS

Sizes: 33-3/4"

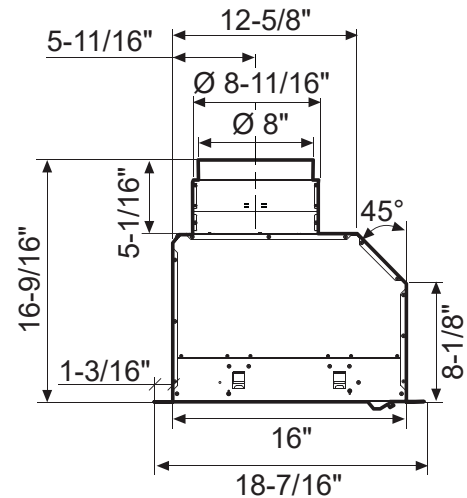
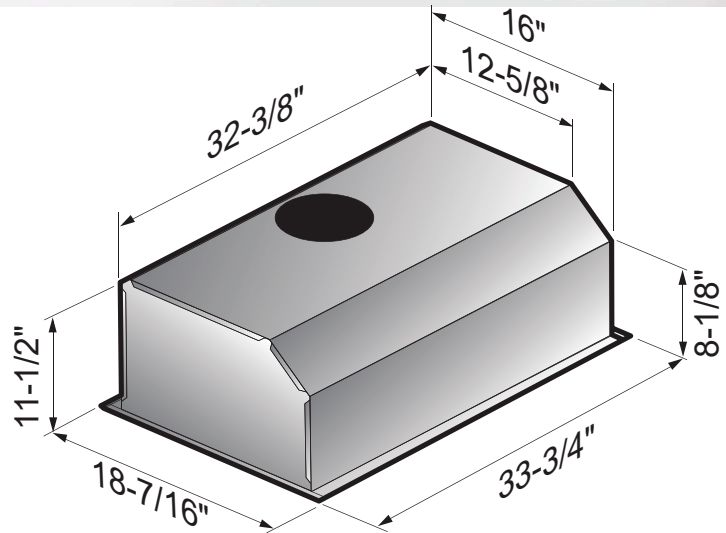
Depth: 18-7/16"

Features and Benefits:

- 1000 CFM high velocity blower optimally removes Smoke, Grease and Odors.
- 3 speed push button controls.
- Two 50W Halogen Lights - Provide brilliant illumination over the cooking surface.
- Dim: 33 3/4" W x 18 7/16" D x 11 1/2" T
Cut Out: 32 1/2" W x 16 3/8" D
- Baffle Filters - Trap airborne smoke and-grease particles. They can be easily be removed for dishwasher-safe cleaning.
- Mounting Height from cooking surface 27"-32".
- Sound level 3.0 - 7.9 Sones

Duct Options and Electrical Requirements:

- 8 inch duct required.
- AC 120v-60Hz (6.2amp).



WIDTH	DEPTH	FLOW RATE
34"	19"	1000

XO

KITCHEN VENTILATION SYSTEMS



Insert

XO13315S

The XO1 insert is an integrated blower which allows you to match your custom hood to your kitchen. This simple and affordable design is easy to install. Designed and crafted in Italy for the ultimate in fit and finish. At XO we believe that good design is something everyone can afford.

XO

www.xoappliance.com

XOI Spec Sheet

Insert

2 YEAR
PARTS & LABOR
WARRANTY



Model: XO13315S

Sizes: 33-3/4"

Depth: 15"

Features and Benefits:

- 600 CFM high velocity blower optimally removes Smoke, Grease and Odors.
- 3 speed push button controls.
- Two 50W Halogen Lights - Provide brilliant illumination over the cooking surface.
- Dim: 33 3/4" W x 15" D x 11 1/2" T
Cut Out: 32 1/2" W x 13 1/32" D
- Baffle Filters - Trap airborne smoke and grease particles. They can be easily be removed for dishwasher-safe cleaning.
- Mounting Height from cooking surface 27"-32"
- Sound level 1.8 - 6.5 Sones

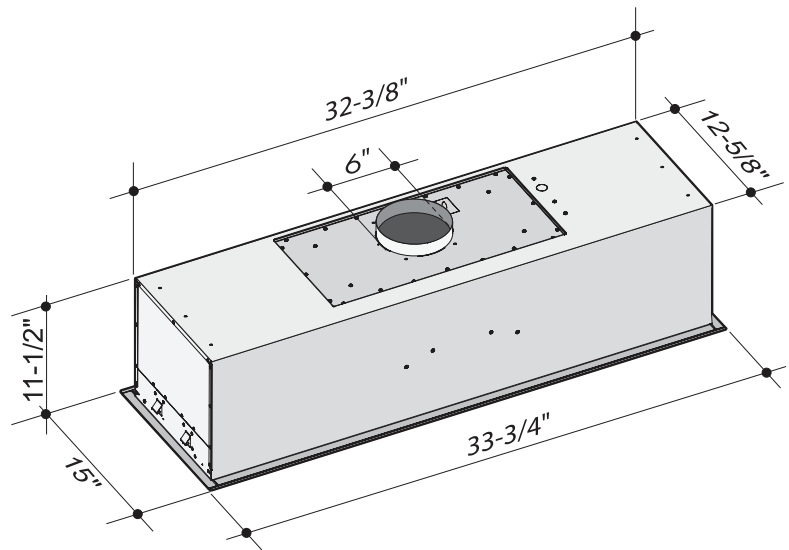
Duct Options and Electrical Requirements:

- 6 inch duct required.
- Ductless Option for applications where no ducting is available
- AC 120v-60Hz (6.2amp).

Options:

Optional recirculation kit available
XORFK04

IMPORTANT NOTE: When used in a recirculating mode, provision must be made to return the exhaust to the living space - see installation instructions for complete information



WIDTH	DEPTH	CFM
34"	15"	600

XO
www.xoappliance.com

XO is Exclusively Distributed by:
Eastern Marketing Corp 24 Eisenhower Parkway Roseland,
New Jersey 07068 800-966-8300
www.easternmarketingcorp.com

All XO hoods are UL approved.

DESIGNED & CRAFTED IN
ITALY



KITCHEN VENTILATION SYSTEMS



Insert

XO13315SMUA make-up air compliant series

The XO1 insert is an integrated blower which allows you to match your custom hood to your kitchen. This simple and affordable design is easy to install. Designed and crafted in Italy for the ultimate in fit and finish. At XO we believe that good design is something everyone can afford.

What does Make-Up Air Compliant mean?

For the last several years, codes and standards required Make-Up air for domestic range hoods with exhaust rates exceeding a certain limit. The International Residential Code Section M1503.4 and the International Mechanical Code Section 505.2 require Make-Up air for all domestic range hoods in excess of 400 cfm. State, county and local codes may be more restrictive. Always check with your jurisdiction for specific Make-Up air requirements in your area.





Model: XOI3315SMUA

Sizes: 33-3/4"

Depth: 15"

Features and Benefits:

- Make-Up Air Compliant - Check Local Codes
- 395 CFM high velocity blower optimally removes Smoke, Grease and Odors.
- 3 speed push button controls.
- Two 50W Halogen Lights - Provide brilliant illumination over the cooking surface.
- Dim: 33 3/4" W x 15" D x 11 1/2" T
Cut Out: 32 1/2" W x 13 1/32" D
- Baffle Filters - Trap airborne smoke and grease particles. They can be easily be removed for dishwasher-safe cleaning.
- Mounting Height from cooking surface 27"-32"

Sound level 1 - 4 Sones

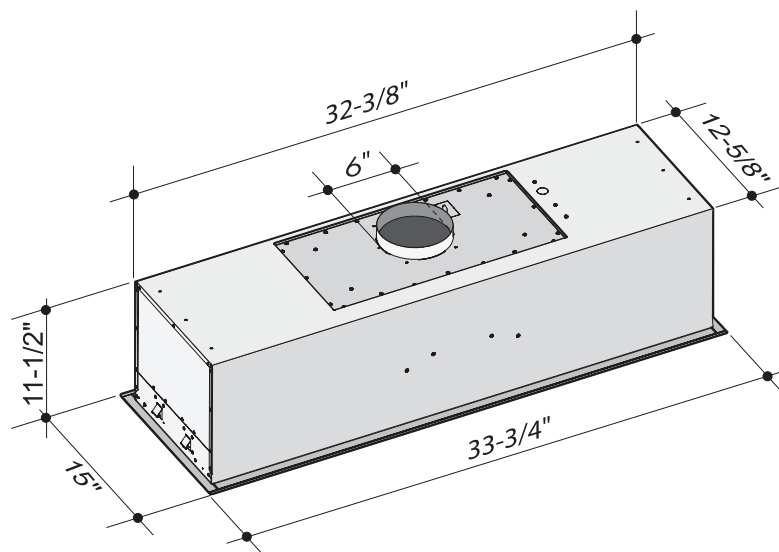
Duct Options and Electrical Requirements:

- 6 inch duct required.
- Ductless Option for applications where no ducting is available
- AC 120v-60Hz (6.2amp).

Options:

Optional recirculation kit available
XORFK04

IMPORTANT NOTE: When used in a recirculating mode, provision must be made to return the exhaust to the living space - see installation instructions for complete information



WIDTH	DEPTH	CFM
34"	15"	395

XO

KITCHEN VENTILATION SYSTEMS



Insert

XO13315KS

The XO1 insert is an integrated blower which allows you to match your custom hood to your kitchen. This simple and affordable design is easy to install. Designed and crafted in Italy for the ultimate in fit and finish. At XO we believe that good design is something everyone can afford.

XO

www.xoappliance.com



Model: XO I3315KS

Sizes: 33-3/4"

Depth: 15"

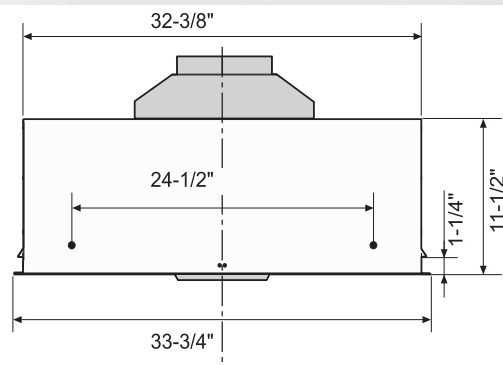
Features and Benefits:

- 1000 CFM high velocity blower optimally removes Smoke, Grease and Odors.
- 3 speed push button controls.
- Two 50W Halogen Lights - Provide brilliant illumination over the cooking surface.
- Dim: 33 3/4" W x 15" D x 11 1/2" T (16 3/8" T with discharge plenum)
Cut Out: 32 1/2" W x 13 1/32" D
- Baffle Filters - Trap airborne smoke and grease particles. They can be easily be removed for dishwasher-safe cleaning.
- Mounting Height from cooking surface 27"-32"
- Sound level 3.0 - 7.9 Sones

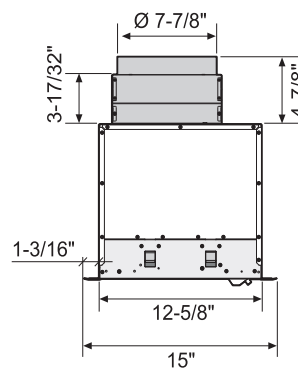
Duct Options and Electrical Requirements:

- 8 inch duct required.
- AC 120v-60Hz (6.2amp).

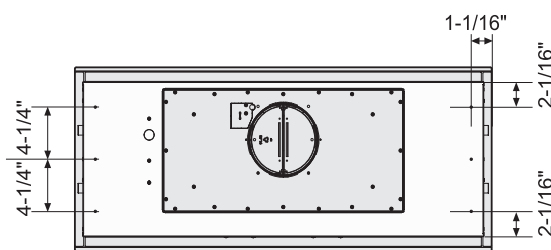
› Front of hood



› Side of hood



› Top of hood



WIDTH	DEPTH	CFM
34"	15"	1000



XO

KITCHEN VENTILATION SYSTEMS



Insert

XO13015S

The XO1 insert is an integrated blower which allows you to match your custom hood to your kitchen. This simple and affordable design is easy to install. Designed and crafted in Italy for the ultimate in fit and finish. At XO we believe that good design is something everyone can afford.

XO

www.xoappliance.com

2 YEAR
PARTS & LABOR
WARRANTY



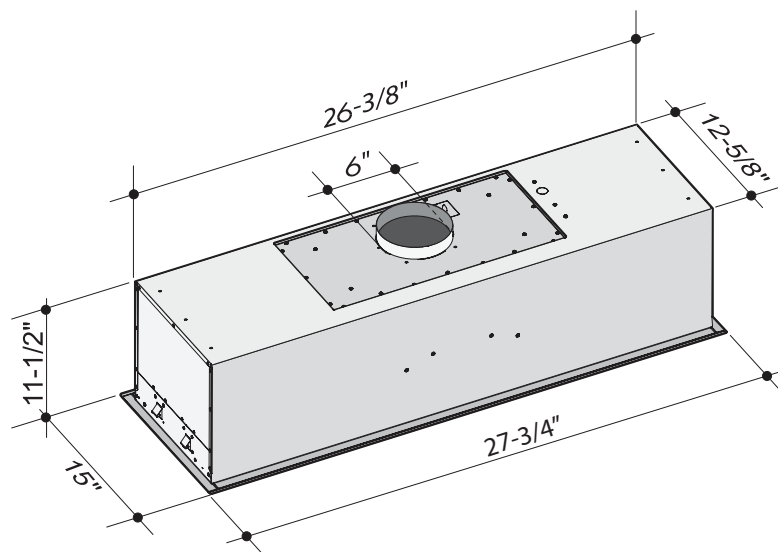
Model: XOI3015S

Sizes: 27-3/4"

Depth: 15"

Features and Benefits:

- 600 CFM high velocity blower optimally removes Smoke, Grease and Odors.
- 3 speed push button controls.
- Two 50W Halogen Lights - Provide brilliant illumination over the cooking surface.
- Dim: 27 3/4" W x 15" D x 11 1/2" T
Cut Out: 26 1/2" W x 12 3/4" D
- Baffle Filters - Trap airborne smoke and grease particles. They can be easily be removed for dishwasher-safe cleaning.
- Mounting Height from cooking surface 27"-32"
- Sound level 1.8 - 6.5 Sones



Duct Options and Electrical Requirements:

- 6 inch duct required.
- Ductless Option for applications where no ducting is available
- AC 120v-60Hz (6.2amp).

Options:

Optional recirculation kit available
XORFK04

WIDTH	DEPTH	CFM
28"	15"	600



www.xoappliance.com

XO is Exclusively Distributed by:
Eastern Marketing Corp 24 Eisenhower Parkway Roseland,
New Jersey 07068 800-966-8300
www.easternmarketingcorp.com

DESIGNED & CRAFTED IN

ITALY

All XO hoods are UL approved.



KITCHEN VENTILATION SYSTEMS



Insert

XO13015SMUA make-up air compliant series

The XO1 insert is an integrated blower which allows you to match your custom hood to your kitchen. This simple and affordable design is easy to install. Designed and crafted in Italy for the ultimate in fit and finish. At XO we believe that good design is something everyone can afford.

What does Make-Up Air Compliant mean?

For the last several years, codes and standards required Make-Up air for domestic range hoods with exhaust rates exceeding a certain limit. The International Residential Code Section M1503.4 and the International Mechanical Code Section 505.2 require Make-Up air for all domestic range hoods in excess of 400 cfm. State, county and local codes may be more restrictive. Always check with your jurisdiction for specific Make-Up air requirements in your area.





Model: XOI3015SMUA

Sizes: 27-3/4"

Depth: 15"

Features and Benefits:

- Make-Up Air Compliant - Check Local Codes
- 395 CFM high velocity blower optimally removes Smoke, Grease and Odors.
- 3 speed push button controls.
- Two 50W Halogen Lights - Provide brilliant illumination over the cooking surface.
- Dim: 27 3/4" W x 15" D x 11 1/2" T
Cut Out: 26 1/2" W x 12 3/4" D
- Baffle Filters - Trap airborne smoke and grease particles. They can be easily be removed for dishwasher-safe cleaning.
- Mounting Height from cooking surface 27"-32"
- Sound level 1.0 - 4.0 Sones

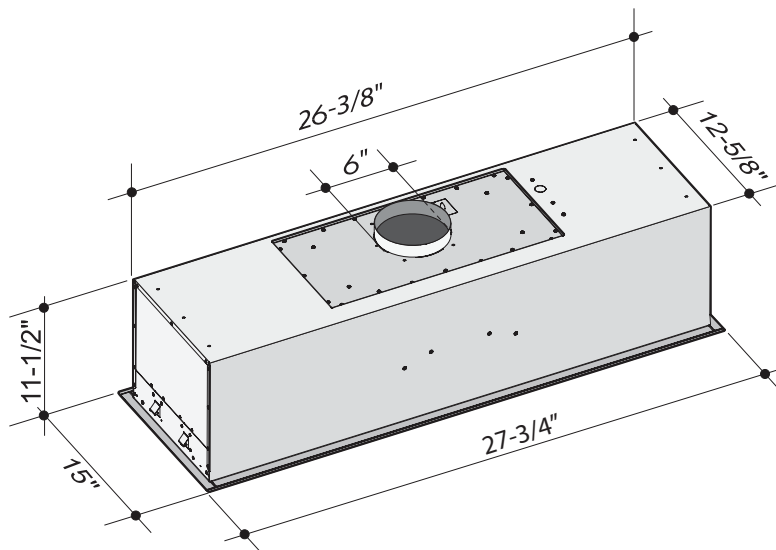
Duct Options and Electrical Requirements:

- 6 inch duct required.
- Ductless Option for applications where no ducting is available
- AC 120v-60Hz (6.2amp).

Options:

Optional recirculation kit available
XORFK04

IMPORTANT NOTE: When used in a recirculating mode, provision must be made to return the exhaust to the living space - see installation instructions for complete information



WIDTH	DEPTH	CFM
28"	15"	395

